

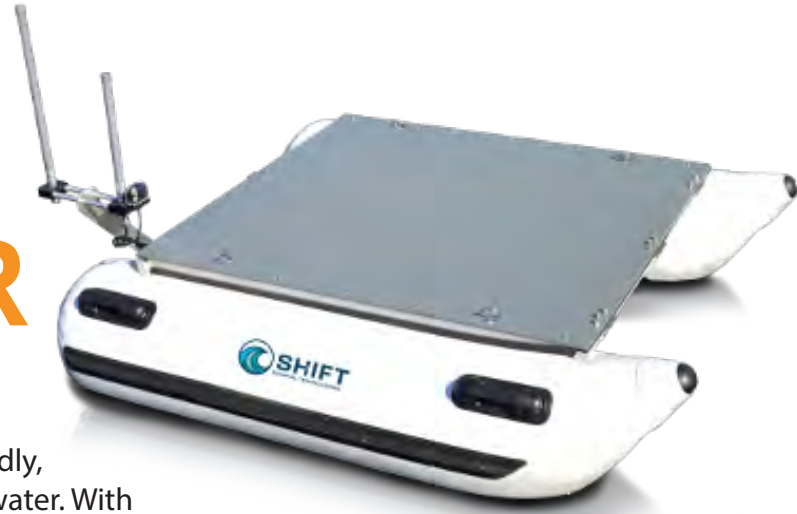


# AUTONOMOUS RESPONSE

---

## OCEANSLED® SERIES

# TRANSPORTER



Part of Shift's autonomous surface vessel OceanSled series,® the Transporter is the perfect lightweight solution for rapid deployment. It is incredibly user-friendly, allowing for quick setup and seamless launch into the water. With just two individuals, you can easily carry Shift's Transporter to the shore. The vessel offers a diverse range of payload options, accommodating weights of up to 400 pounds. It stands out as our most cost-effective model, delivering exceptional value for your investment.

---

## BENEFITS

**AFFORDABLE AND ADAPTABLE:** The Transporter enables materiel transport and data collection in nearshore environments in a compact cost efficient open package, providing valuable logistics support and intelligence capabilities suitable for a variety of maritime applications.

**OPERATES IN HIGH-RISK AREAS:** The OceanSled can operate without human intervention, reducing the risks associated with crewed missions and allowing for extended and continuous operations.

**MINIMAL PERSONNEL REQUIREMENTS:** The ®OceanSled is designed for rapid deployment, making it highly responsive to emerging situations and data collection needs. Its quick turn around from trailer to operational readiness can be performed by a single operator.

## FEATURES

- ALong range antennae
- Dual thrusters
- Tilt-stabilized FPV camera
- LiFePo4 Battery
- Handheld controller with FPV videolink

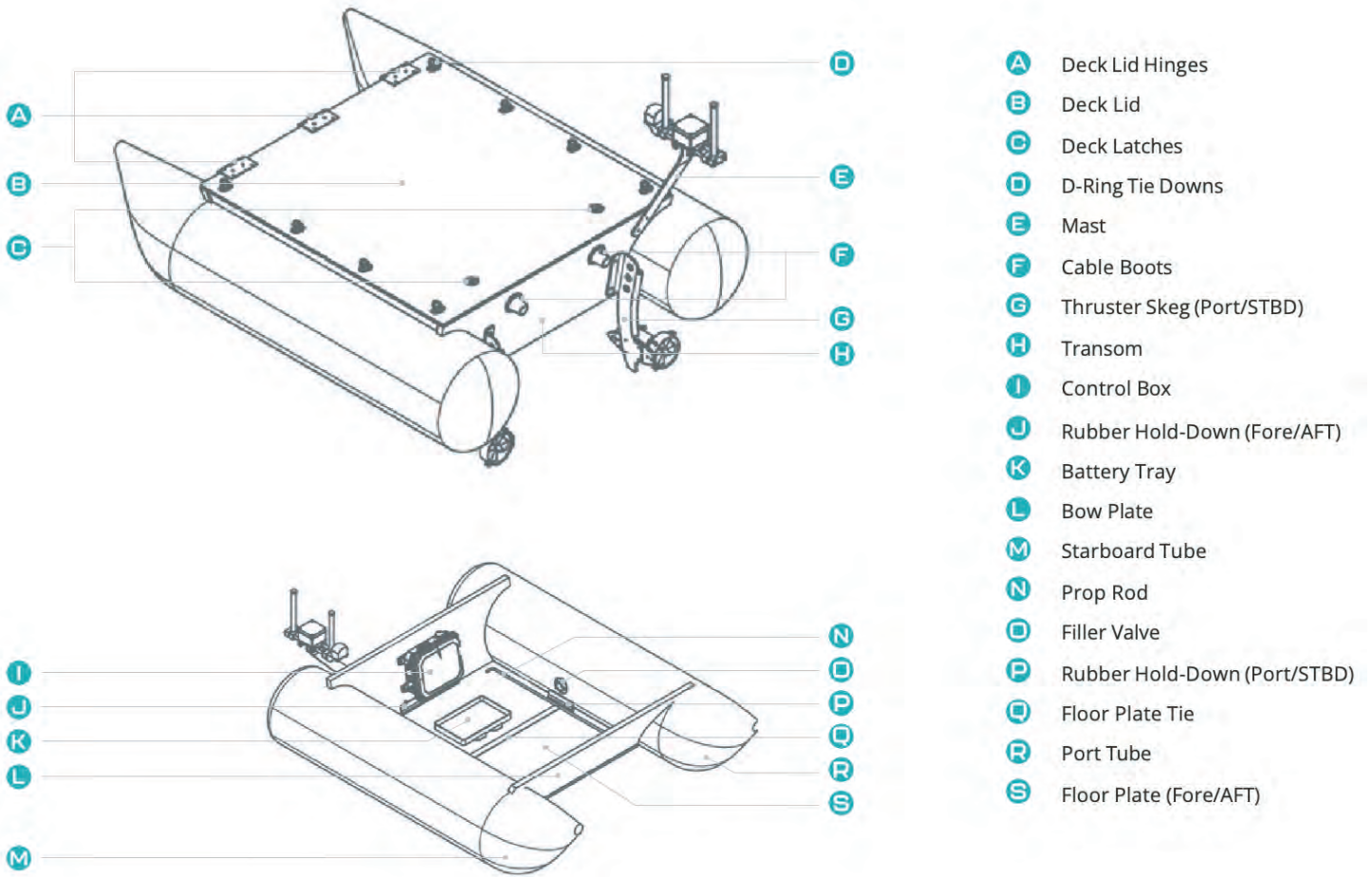
## APPLICATIONS

- Maritime Security
- Material and Equipment Transport
- Spill Response
- Debris and Shoreline Restoration
- Debris Removal

## UPGRADES

- PTZ Camera with IR option
- Side-Scan Sonar
- Overboard Camera
- Cargo Net
- Debris Catcher, Supersack
- Rapid Deployable Spill Boom

# COMPONENTS & SPECS



PHYSICAL	
Length Overall	1.8 m — 6 ft
Beam (width)	1.5 m — 5 ft
Height	1 m — 3'5"
Deck Area	1.4 m <sup>2</sup> — 15 ft <sup>2</sup>
Draft (skeg)	25 cm — 10 in
Displacement (weight)	56 kg — 123 lbs +15 kg per battery
Max Speed	4 knots — 7.4 km/h
Operations Speed	2 knots — 3.7 km/h
Payload	181 kg — 400 lbs

OPERATIONAL	
Operational Runtime	1 battery: 9 hours
	2 batteries: 9 hours
	3 batteries: 27 hours
Operational Range (per battery)	33 kms (20 miles)

